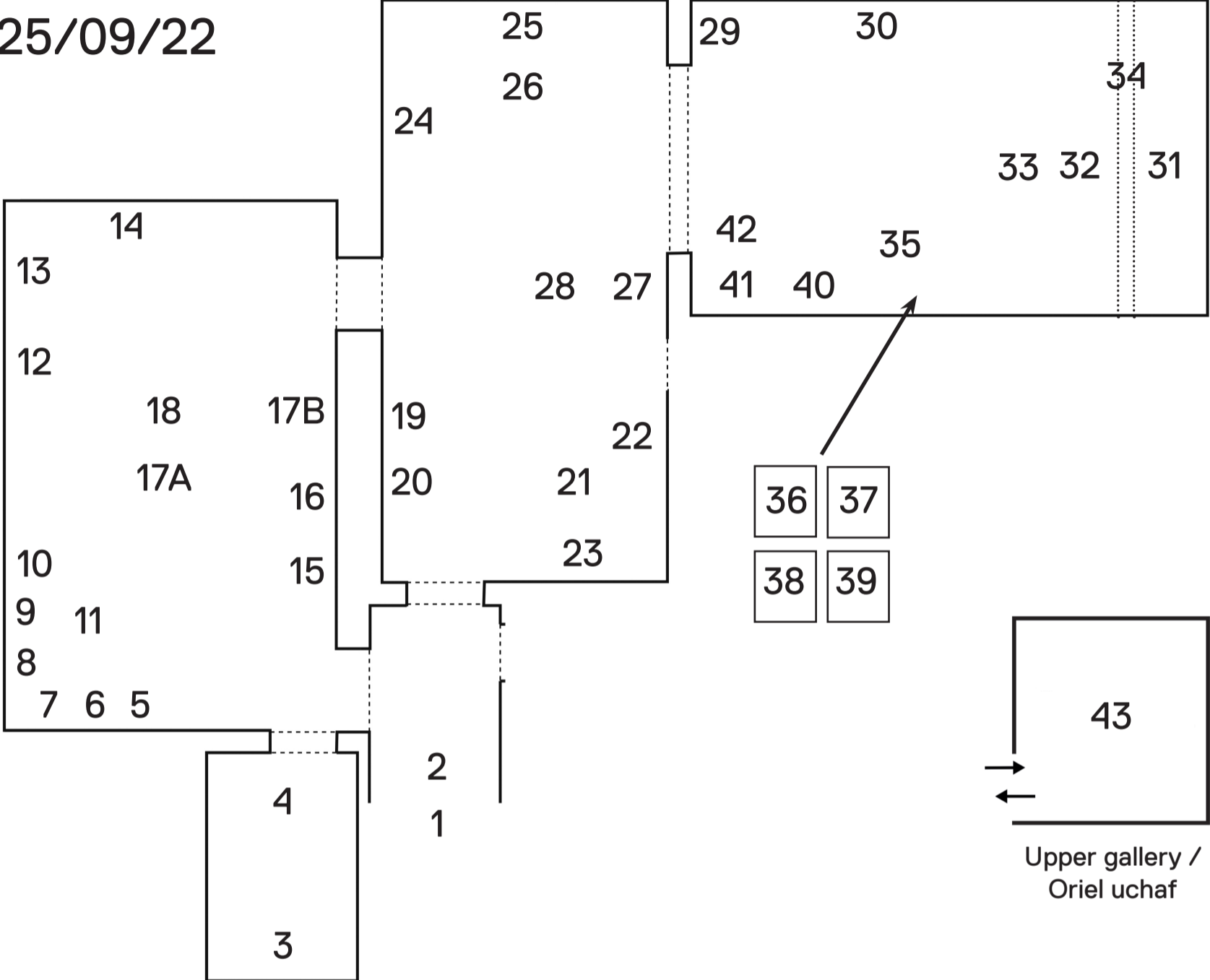


mostyn

Atlas Dros Dro/Temporary Atlas

Floor Plan

25/06/22 -
25/09/22



1. Jeremy Deller
The History of the World, 1997-2004
2022
Digitally printed carpet.

Courtesy of the artist and The Modern Institute, Toby Westler Ltd, Glasgow
2. Jeremy Deller
Acid Brass
1997
Live recording by the William Fairey Band, CD

Courtesy of art: concept, Paris; Gavin Brown's enterprise, New York and The Modern Institute, Toby Westler Ltd.
3. Paul Eastwood
Dyfodiaith: Canu i ddyfodol anhysbys
2019
HD video
4. Paul Eastwood
Boustrophedon
2022
Woven Tapestry

All works courtesy of the artist
5. Enam Gbewonyo
A cosmos within - the infinite black, SOURCE
2021
Burnout used tights, recycled pet thread and eco-friendly water based acrylic paint on used empty canvas frame
6. Enam Gbewonyo
Teetering on the edge of visibility, the invisible disguised as visible IV
2019
Used photographs and tights
7. Enam Gbewonyo
Re-asserting the black feminine
2021
Used tights, cotton thread and metallic thread on used empty canvas frame
8. Enam Gbewonyo
The empire has new clothes, a history rewritten in the black II
2021
Used tights, bamboo and cotton yarn, recycled pet thread, metallic thread and eco-friendly water based acrylic paint on used empty canvas frame
9. Enam Gbewonyo
Masked in the sheer audacity of Chicago's perceptions of blackness and womanhood, BLACK
2018
Nylon tights
10. Enam Gbewonyo
Masked in the sheer audacity of Chicago's perceptions of blackness and womanhood, NUDE
2018
Burnout nylon tights with cotton hand embroidery and stitching
11. Enam Gbewonyo
The ascension of the nude
2021
Used burnt tights, cotton thread on a wooden pyramidal frame

All works courtesy of the artist
12. Matt Mullican
Untitled (Centered overall chart)
2021
Oil pastel on canvas
13. Matt Mullican
Untitled (Centered overall chart: Sign)
2021
Oil pastel on canvas
14. Matt Mullican
Untitled (Signs)
2013/1987
Oil pastel on canvas
15. Otobong Nkanga
In pursuit of bling: the discovery
2014
Tapestry, woven textile
16. Otobong Nkanga
Infinite yield
2015
Tapestry, woven textile (viscose, techno, merino, organic cotton, mohair)

All works courtesy of the artist and Defares collection
- 17A.& 17B. Sarah Entwistle
When I decide that you are lying
2021
4 ceramics, 1 steel sheet stenciled and bent, 1 steel object with lightbulb, 1 chair, metal object, glass
18. Sarah Entwistle
When I stay at the studio, they look after the cat
2021
Steel objects, stuffed fur object (cat), ropes,

- hooks, video
- All works courtesy of the artist and Galerie Barbara Thumm, Berlin
19. Paul Maheke
OOLOI
2019
Plexiglas, acrylic paint, petroleum jelly, light bulbs
 20. Paul Maheke
Lilith
2020
3D laser-engraved glass cube, oxidized copper and printed posters
 21. Paul Maheke
Du ciel, à travers le monde, jusqu'aux enfers (III)
2020
3D laser-engraved glass cube, copper and oxidized brass, black and gold brass chains, brass pendulum clock, copper boxes
 22. Paul Maheke
The moss has got a pair of eyes
2020
Ferric chloride on copper

All works courtesy of artist and the Sultana Gallery, Paris.

 23. Adéolá Dewis
Ode to mètèt mwe
2022
Print and paint on paper

Courtesy of the artist

 24. Walid Raad
Sweet Talk. Commissions (Beirut)_1987
1987/2010
Archival inkjet prints
Series of 8 prints

Courtesy of the artist and Sfeir-Semler Gallery, Hamburg/Beirut

 25. Ibrahim Mahama
Manifest I, II, III
2021
Litho print and archive paper collage
 26. Ibrahim Mahama
Annual report series I
2021
Annual report, litho print collage and wooden desk

All works courtesy of the artist and White Cube

 27. Manon Awst
Dal sownd / Hold on
2021
Mirror with 3D printed climbing holds made from recycled marine nylon
 28. Manon Awst
Craidd pethau / The core of things
2022
Core-drilled Anglesey limestone and beach ball

All works courtesy of the artist

 29. Seymour Chwast
Coitus topographicus
1980-2022
Digital print

Courtesy of the artist

 30. Sanford Biggers
Quilt #21 (Yemoja)
2013
Recovered quilt, treated acrylic fabric, spray paint and screen printing

Courtesy of the artist and MASSIMODECARLO

 31. Rochelle Goldberg
Track (Can you trigger the switch?)
2018
Steel, brass, celeriac, dispersion paint
 32. Rochelle Goldberg
Bread
2020
Bronze
 33. Rochelle Goldberg
Bread garden
2020
21 pieces of bread and cast bread, 52 cans, paper, concrete, coins
 34. Rochelle Goldberg
X
2021
7 hands in bronze

All works courtesy of the artist and Miguel Abreu, New York

 35. Kiki Smith
Accomplice
2017
Gold plated bronze
This work is number 3 from an edition of 13 plus 1 artist's proof.
 36. Kiki Smith
Standing VI

2014

Copperplate intaglio with collage

This work is number 11 from an edition of 18 plus 4 artist's proofs and 3 printer's proofs

37. Kiki Smith
Standing II
2014
Copperplate intaglio with collage
This work is number 11 from an edition of 18 plus 4 artist's proofs and 3 printer's proofs
38. Standing VI
2014
Copperplate intaglio with collage
This work is number 11 from an edition of 18 plus 4 artist's proofs and 3 printer's proofs
39. Kiki Smith
Standing I
2014
Copperplate intaglio with collage
This work is number 11 from an edition of 18 plus 4 artist's proofs and 3 printer's proofs

All works courtesy of the artist and
Timothy Taylor, London

40. James Lewis
Dusk Slug IV
2021
Wood, plaster bandage, concrete, glass,
whiskey, clay, acrylic paint
41. James Lewis
Dusk Slug V
2021
Wood, plaster bandage, concrete, glass,
whiskey, clay, acrylic paint
42. James Lewis
Untitled
2021
Works on paper

All works courtesy of the artist and Galerie
Hubert Winter, Vienna

43. Oliver Laric
Versions
2010
Single channel HD video, sound, 9 minutes
(loop)

Courtesy of the artist and Tanya Leighton,
Berlin and Los Angeles

f @mostyngallery
t @Mostyn_Wales_
i @mostyngallery

